

# ROLLER

**Gravity Roller Spur Conveyor**  
**(2 1/2 in. Dia. x 11 Ga. Rollers)**  
**(2 5/8 in. Dia. x 7 Ga. Rollers)**

Overall Width	Between Rail Width	30° SPUR				
		Model No. (Unplated)		"A"	Weights (Lbs.)	
		2 1/2" Roller	2 5/8" Roller		2 1/2" Roller	2 5/8" Roller
16 1/4"	13"	25SRS-13-30	26SRS-13-30	39"	284	330
18 1/4"	15"	25SRS-15-30	26SRS-15-30	54"	302	355
20 1/4"	17"	25SRS-17-30	26SRS-17-30	54"	320	379
22 1/4"	19"	25SRS-19-30	26SRS-19-30	54"	338	403
24 1/4"	21"	25SRS-21-30	26SRS-21-30	54"	355	426
26 1/4"	23"	25SRS-23-30	26SRS-23-30	75"	374	451
28 1/4"	25"	25SRS-25-30	26SRS-25-30	75"	389	471
30 1/4"	27"	25SRS-27-30	26SRS-27-30	75"	403	489
34 1/4"	31"	25SRS-31-30	26SRS-31-30	75"	436	531
36 1/4"	33"	25SRS-33-30	26SRS-33-30	96"	445	544
40 1/4"	37"	25SRS-37-30	26SRS-37-30	96"	466	572
42 1/4"	39"	25SRS-39-30	26SRS-39-30	96"	465	573
46 1/4"	43"	25SRS-43-30	26SRS-43-30	114"	477	590
50 1/4"	47"	25SRS-47-30	26SRS-47-30	114"	484	596
54 1/4"	51"	25SRS-51-30	26SRS-51-30	114"	503	621

All weights in catalog are conveyor weights only. Accessories, crating, etc., are not included.

Overall Width	Between Rail Width	45° SPUR				
		Model No. (Unplated)		"B"	Weights (Lbs.)	
		2 1/2" Roller	2 5/8" Roller		2 1/2" Roller	2 5/8" Roller
16 1/4"	13"	25SRS-13-45	26SRS-13-45	39"	282	325
18 1/4"	15"	25SRS-15-45	26SRS-15-45	39"	319	373
20 1/4"	17"	25SRS-17-45	26SRS-17-45	39"	323	378
22 1/4"	19"	25SRS-19-45	26SRS-19-45	39"	354	420
24 1/4"	21"	25SRS-21-45	26SRS-21-45	54"	380	457
26 1/4"	23"	25SRS-23-45	26SRS-23-45	54"	388	465
28 1/4"	25"	25SRS-25-45	26SRS-25-45	54"	417	504
30 1/4"	27"	25SRS-27-45	26SRS-27-45	54"	433	526
34 1/4"	31"	25SRS-31-45	26SRS-31-45	75"	472	578
36 1/4"	33"	25SRS-33-45	26SRS-33-45	75"	483	593
40 1/4"	37"	25SRS-37-45	26SRS-37-45	75"	527	649
42 1/4"	39"	25SRS-39-45	26SRS-39-45	75"	531	657
46 1/4"	43"	25SRS-43-45	26SRS-43-45	75"	557	691
50 1/4"	47"	25SRS-47-45	26SRS-47-45	96"	556	693
54 1/4"	51"	25SRS-51-45	26SRS-51-45	96"	568	708

All weights in catalog are conveyor weights only. Accessories, crating, etc., are not included.

Overall Width	Between Rail Width	90° SPUR						
		Model No. (Unplated)		"C"	"D"	Inside Radius	Weights (Lbs.)	
		2 1/2" Roller	2 5/8" Roller				2 1/2" Roller	2 5/8" Roller
16 1/4"	13"	25SRS-13-90S	26SRS-13-90S	39"	33"	32 1/2"	133	149
18 1/4"	15"	25SRS-15-90S	26SRS-15-90S	39"			139	157
20 1/4"	17"	25SRS-17-90S	26SRS-17-90S	54"			152	172
22 1/4"	19"	25SRS-19-90S	26SRS-19-90S	54"			158	180
24 1/4"	21"	25SRS-21-90S	26SRS-21-90S	54"			164	188
26 1/4"	23"	25SRS-23-90S	26SRS-23-90S	54"			170	195
28 1/4"	25"	25SRS-25-90S	26SRS-25-90S	54"			175	202
30 1/4"	27"	25SRS-27-90S	26SRS-27-90S	54"			180	209
34 1/4"	31"	25SRS-31-90D	26SRS-31-90D	75"			263	303
36 1/4"	33"	25SRS-33-90D	26SRS-33-90D	75"			267	309
40 1/4"	37"	25SRS-37-90D	26SRS-37-90D	75"	48 1/2"	48"	281	327
42 1/4"	39"	25SRS-39-90D	26SRS-39-90D	96"			295	343
46 1/4"	43"	25SRS-43-90D	26SRS-43-90D	96"			307	359
50 1/4"	47"	25SRS-47-90D	26SRS-47-90D	96"			315	370
54 1/4"	51"	25SRS-51-90D	26SRS-51-90D	96"			326	384

All weights in catalog are conveyor weights only. Accessories, crating, etc., are not included.

## • STANDARD SPECIFICATIONS

**WIDTHS**—Between Rail Width 13 in., 15 in., 17 in., 19 in., 21 in., 23 in., 25 in., 27 in., 31 in., 33 in., 37 in., 39 in., 43 in., 47 in., and 51 in.

**FRAME**—4 in. deep x 1 5/8 in. flange x 4 ga. powder painted formed steel channel with bolt-in cross members.

**BUTT COUPLINGS**—For bolting sections together.

**MOUNTING BRACKET**—Bracket is supplied to attach spur to side channels of other conveyors.

**SPUR ANGLES**—30°, 45° and 90° right or left hand applications, specify.

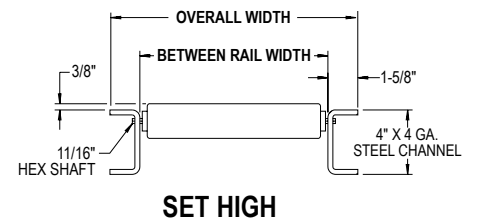
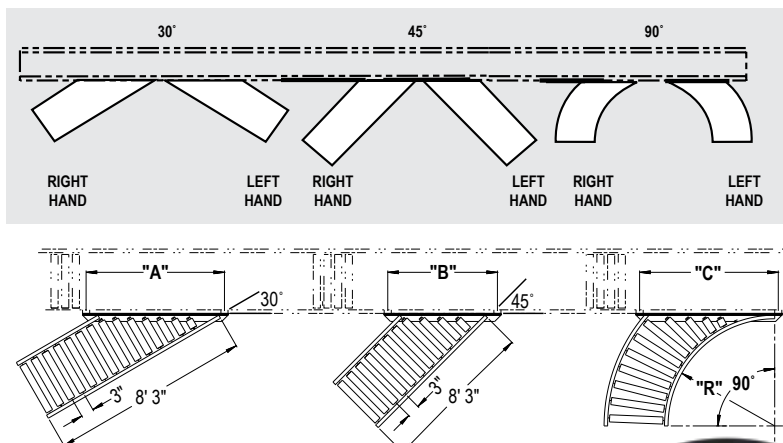
**ROLLERS**—"25-SRS" 2 1/2 in. dia. x 11 ga. steel tubing. Bearings are labyrinth sealed and grease packed.

**AXLES**—1 1/4 in. hex shaft, spring loaded.

**CAPACITY**—Same per foot capacity as straight sections. See Gravity Roller Conveyor (2 1/2 in. x 11 & 7 ga.) charts.

## • OPTIONAL EQUIPMENT

**FRAME**—4 in. x 5.4 lb. powder painted structural steel channel with bolt-in cross members.



**SET HIGH**