

GAPPER-D

Horizontal Belt Gapping Conveyor (Slider Bed)

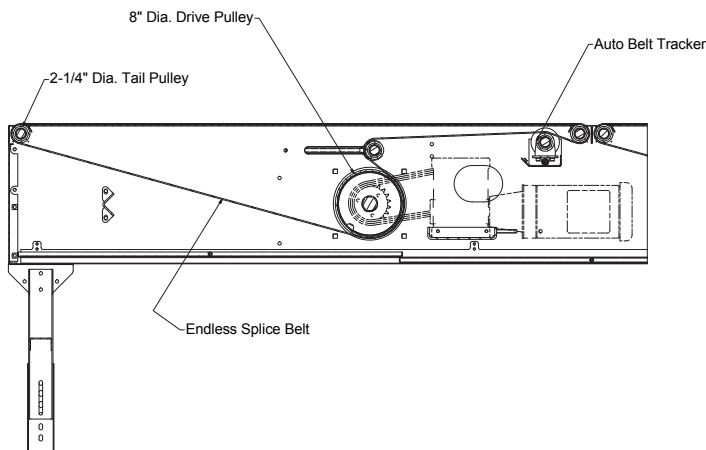
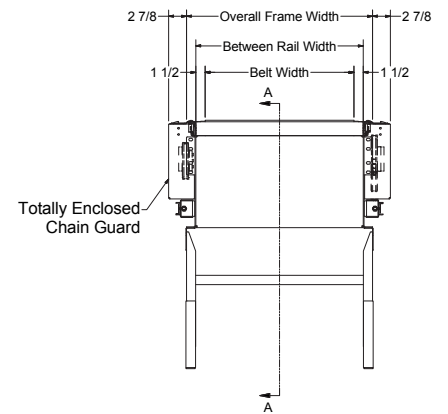
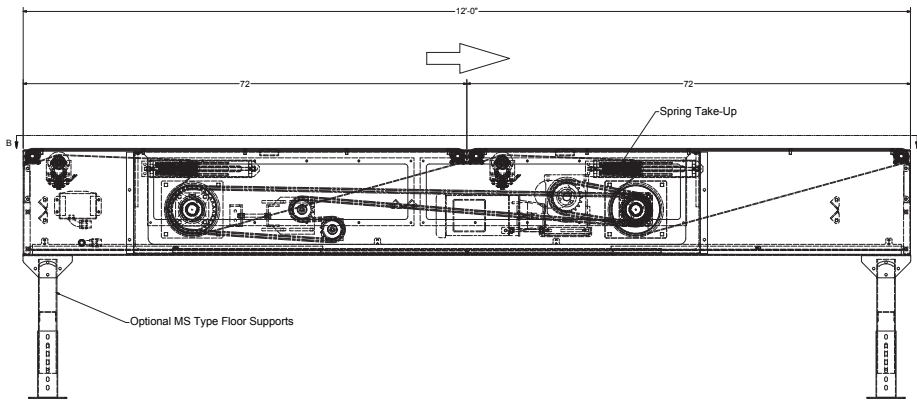
The Model Gapper is designed for feeding sawtooth merges, combiners, sorters, or other equipment where gaps must be pulled between cartons.

- 2-Stage
- 5 Belt Widths
- High Grip Longitudinal Grooved Belt - Endless Splice
- Single Bed Design
- Automatic Belt Tracker
- Adjustable MS-Type Floor Supports Available



Conveyor shown with optional floor supports

SIZE TO ORDER Overall Length	Belt Width	12"	18"	24"	30"	36"
	Between Rail Width	15"	21"	27"	33"	39"
	Overall Frame Width	18"	24"	30"	36"	42"
12'	Weights	761	1015	1269	1523	1777
Weight Per Foot		63	85	106	127	148



• STANDARD SPECIFICATIONS

GAPPER-D

BELT—High grip longitudinally grooved belt; NSL-11ESBV-U2 Endless Splice.

BED—12 ga. galvanized slider pan mounted on a 17 in. x 12 ga. powder painted formed steel channel frame.

SPRING TENSION TAKE-UP—2 1/4" dia. take up pulley; provides 16" of belt take-up.

DRIVE PULLEY—8 in. dia. with 1 1/4 in. dia. shaft at bearings, lat-faced and non-lagged.

BEARINGS—Sealed, pre-lubricated, ball bearings on drive. Precision bearings on tail shafts.

MOTOR—208/230/460/575V - 3 PH. - 60 HZ. Premium Energy Efficient C-Face.

SPEED REDUCTION—Sealed worm gear C-Face speed reducer. No 60 roller chain to drive pulley.

NOTE: Maximum operational speed will be limited to carton sizes being conveyed in order to prevent carton tumbling or sliding. Contact Factory for specific application limits.

SGR
1.25
1.50
1.75
2.00
2.25
2.50

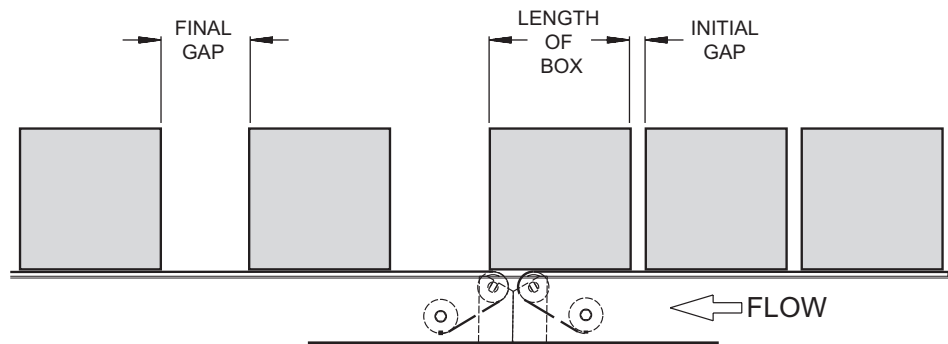
NOTE: As cartons pass from the infeed belt to the higher speed discharge belt, a gap is created between cartons according to the following formula:

FORUMLA

$$\frac{\text{Length of Box} + \text{Final Gap}}{\text{Length of Box} + \text{Initial Gap}} = \text{Speed Gap Ratio (SGR)}$$

Gaps are then measured and speed altered during release of cartons to create desired final gap or pitch. This process is required at each transition where there is a speed change.

$$\text{SGR} = \frac{\text{Discharge Belt Speed}}{\text{Infeed Belt Speed}}$$



• OPTIONAL EQUIPMENT

FLOOR SUPPORTS—MS Type floor supports are available with a wide range of adjustment. Specify top of belt or roller elevation. One support required at every bed joint and ends of conveyor. Holes in feet for lagging to floor. Knee braces recommended above MS-6 support.

GUARD RAILS—Adjustable Universal Channel Guard Rail, overlapping fixed channel (one direction).

O-RING DRIVE CHAIN—With sealed in lubricant (Recommended for applications that do not permit regular lubrication).

LENGTH—Optional 10'-0" long bed section with 60" long infeed and discharge segments.

MOTORS—Single phase, brakemotor, other characteristics.

ELECTRICAL CONTROLS—One direction manual start switch, non-reversing starters, push button stations. AC variable frequency drive.